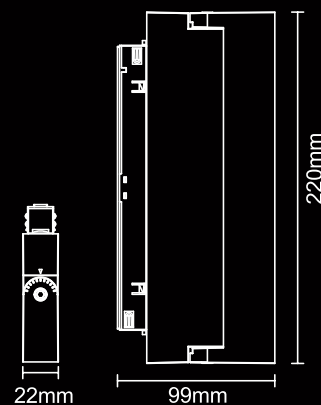




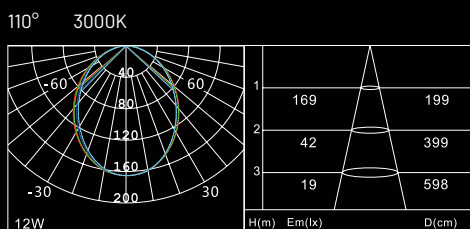
# THOR 02



Color	<b>Black</b>
Material	<b>Aluminium</b>
Power	<b>12W</b>
Lumen	<b>566lm</b>
Beam Angle	<b>110°</b>
CRI	<b>≥90</b>
UGR	<b>&lt;19 - prismatic</b>
CCT	<b>3000k / 4000k</b>
IP rate	<b>IP20</b>
Driver	<b>On-Off / DALI / 0-10V / zigbee</b>
Sizes	<b>L220*W22*H99mm</b>
SDCM	<b>≤3</b>
Mounting type	<b>Magnetic track</b>
Lamp type	<b>LED SMD</b>
Voltage	<b>DC48V</b>
Output LED driver	<b>300mA 36V</b>
Lifetime	<b>50.000h</b>
Blue light	<b>RG0</b>



LY-MTR-12-2B



# INSTRUCTIONS MANUAL

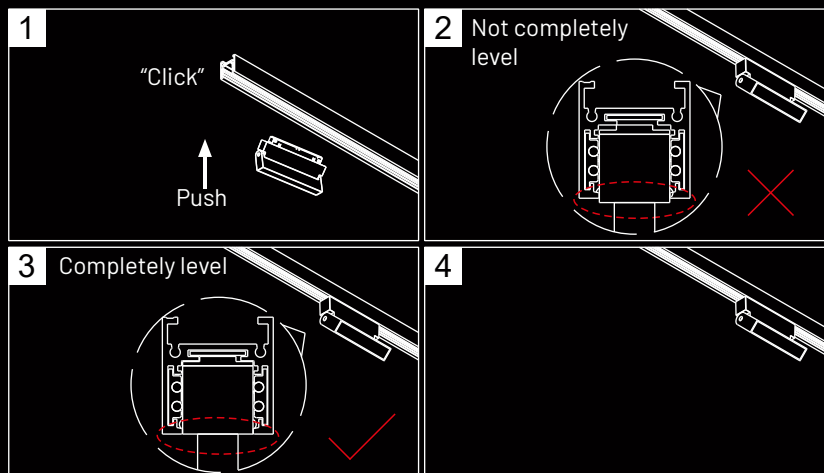
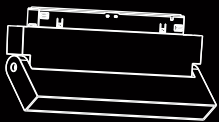
Thank you for selecting our product. To ensure safe and proper use, please carefully read the installation instructions before proceeding.

For installation, repair, or testing, we strongly recommend engaging a licensed professional electrician. Adhering to the provided guidelines is essential to prevent risks such as electrical shock, fire hazards, or accidental damage.

Important safety considerations:

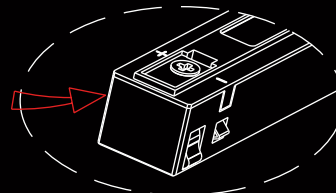
- Do not install the lamp on ceilings that are weak or unstable.
- Avoid installation in areas with high heat, such as above stoves, near gas vents, exhaust outlets, or in spaces prone to moisture.
- This lamp is not compatible with dimming systems or motion sensors; do not connect it to such systems.

Your safety is our priority. Please follow the instructions diligently for optimal performance and peace of mind.



Note:  
The positive and negative (+, -) signal terminal of 0-10V dimming luminous must be installed corresponding to the input terminal.

The positive and negative (+, -) signal terminal of DALI dimming luminous, the signal terminal does not need to be installed corresponding to the input terminal.



# DECLARATION OF CONFORMITY

We, A.B. PROPERTY SERVICES SRL, hereby declare, that the item(s)

**BRAND: Lyset**  
**Model No.: LY-MTR-12-2B**

to which this declaration related is in conformity with the following  
European Council Standard(s):

Low Voltage Directive 2014/35/EU as tested against following  
harmonized standards:

**EN IEC 60598-1:2021/A11:2022**

**EN IEC 60598-2-1:2021**

**EN 62493:2015**

Electromagnetic Compatiltiy Directive 2014/30/EU as tested against following  
harmonized standards:

**EN IEC 55015:2019**

**EN IEC 55015:2019/A11:2020**

**EN 61547:2009**

**IEC 61000**

RoHS Directive 2011/65/EU as tested against following harmonized standard:

**EN 50581:2012**

EcoDesign requirements for energy related products Directive (ErP), 2009/125/EC and  
applicable Implementing Measures

**2019/2020/EU**

On behalf of A.B. PROPERTY SERVICES SRL

Alexandru Boangher

Managing Director

